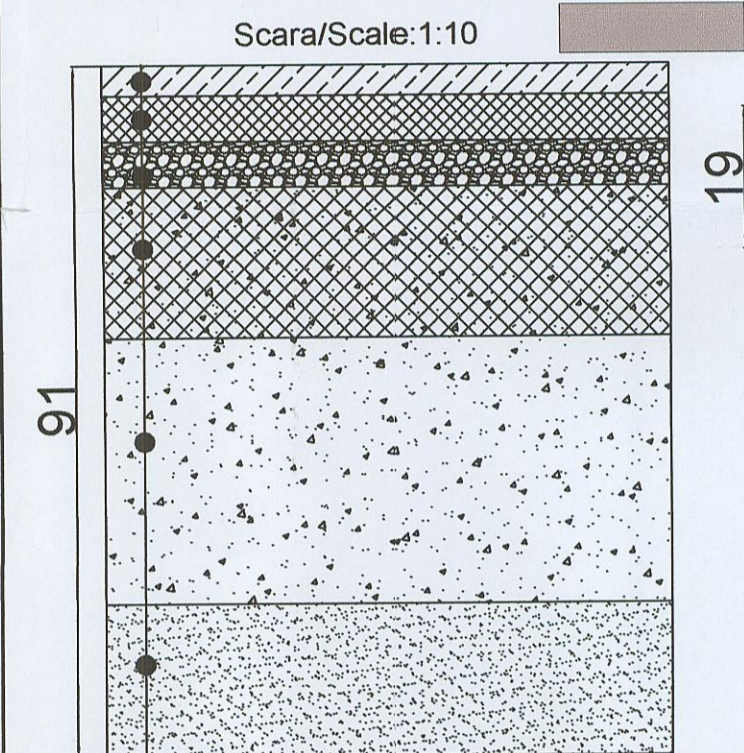
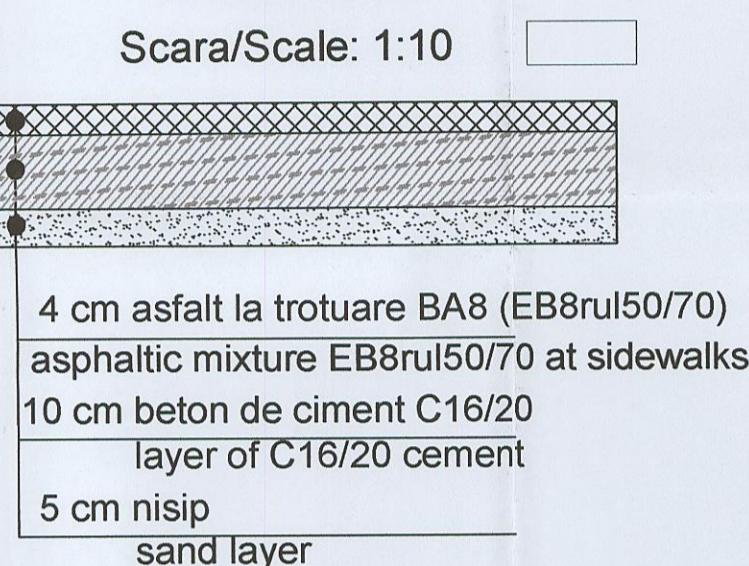


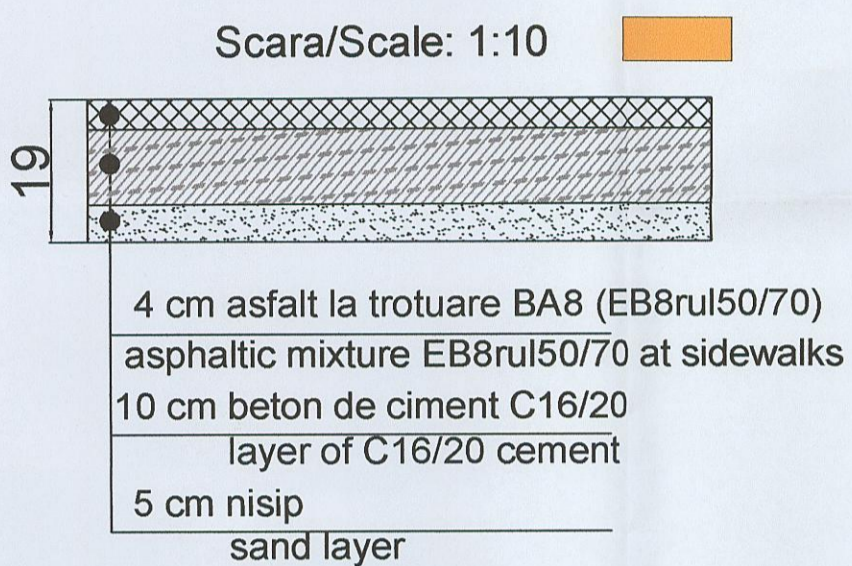
**DETALIU SISTEM RUTIER
DRUMURI SI PARCARI PROPUSE/
RUTIER SYSTEM DETAILS
ROADS AND PARKING PROPOSED**



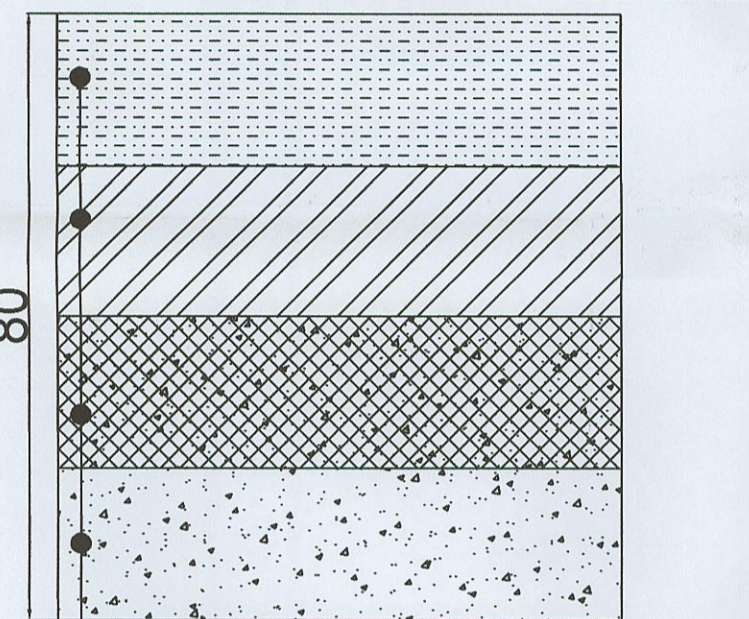
**STRUCTURA TROTUARE
PIETONALE PROPUSE/
PROPOSED SIDEWALKS
STRUCTURE**



**STRUCTURA PISTA DE BICICLETE
PROPOSED BIKE TRAIL
STRUCTURE**

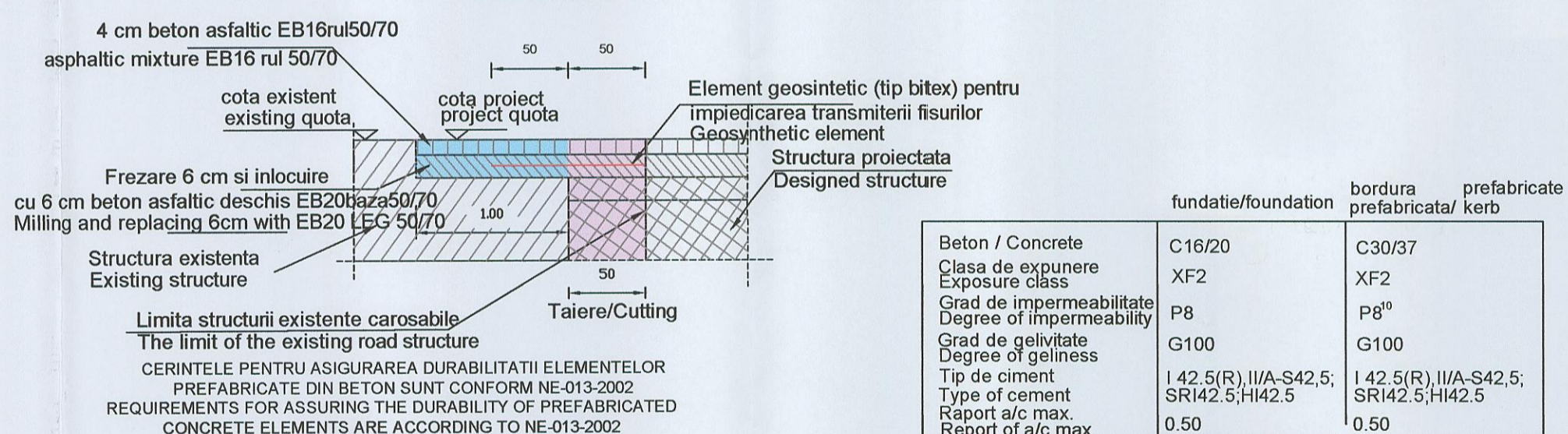


**DETALIU SISTEM RUTIER
ZONA DESCARCARE MARFA/
RUTIER SYSTEM DETAILS
UNLOADING AREA**



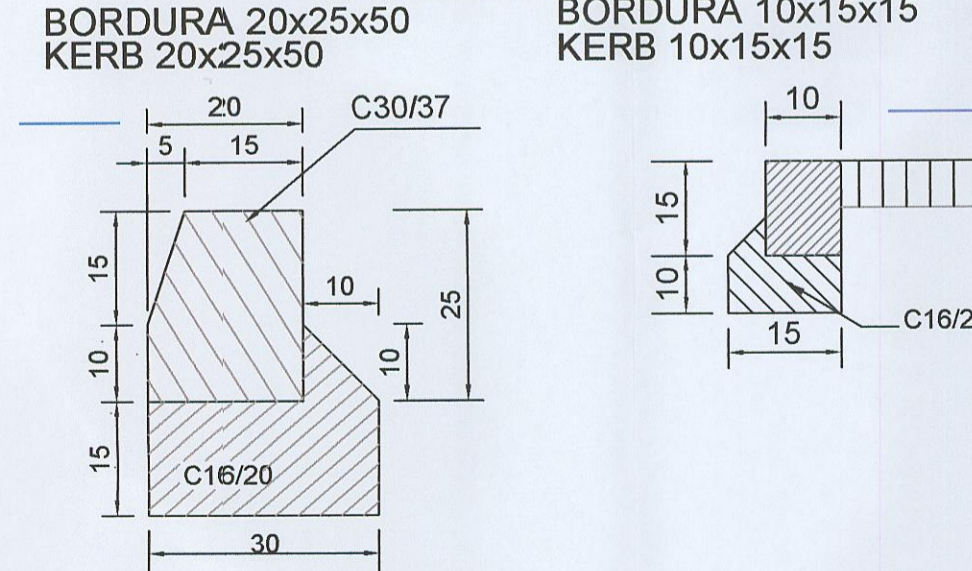
- 4 cm strat de rulare beton asfaltic BA16 (EB16 rul 50/70)
asphaltic mixture EB16 rul 50/70
- 6 cm strat de legatura beton asfaltic BAD22.4 (EB20 LEG 50/70)
open asphaltic concrete - binding layer - EB22.4 LEG 50/70
- 6 cm strat de baza din anrobat bituminos AB22.4 (EB22.4 baza 50/70)
asphaltic mixture base course EB22.4 baza 50/70
- 20 cm strat din balast stabilizat Rc<3N/mm²
natural aggregates stabilized with cement
- 35 cm strat de fundatie din balast
ballast foundation
- 20 cm strat de forma din pamant cu Doroport

**DETALIU ZONA DE TAIERE A STRUCTURII RUTIERE EXISTENTE
DETAIL CUTTING AREA OF THE EXISTING ROAD STRUCTURE**



	fundatie/foundation	bordura prefabricata/ kerb
Beton / Concrete	C16/20	C30/37
Clasa de expunere Exposure class	XF2	XF2
Grad de impermeabilitate Degree of impermeability	P8	P8 ⁹
Grad de gelivitate Degree of geliness	G100	G100
Tip de ciment Type of cement	I 42.5(R), III/A-S42.5, SR142.5;H142.5	I 42.5(R), III/A-S42.5, SR142.5;H142.5
Raport a/c max Report of a/c max	0.50	0.50

**DETALIU PENTRU BORDURI PE FUNDATIE DIN BETON C16/20
KERBS DETAIL CONCRETE FOUNDATION C16 / 20**



COTA 0 PROJECT SURVEY POINT	+
CATEGORIA DE IMPORTANTA GLOBALA cf. HG76/2007 GENERAL IMPORTANCE CATEGORY acc to HG 76	GRAD DE REZISTENTA LA FOC, conform P119/99 FIRE RESISTANCE, in accordance with P119/99
C (normala)	Grad II
CLASA DE IMPORTANTA, conform P100/2013 IMPORTANCE CLASS, according to P100/2013	RISC DE INCENDIU conform P118/99 FIRE RELATED RISK, according to P118/99
II	MIJLOCIU

PROIECTANT GENERAL/GENERAL DESIGN

S.C. BLUE PROJECTS S.R.L. || Nr. Reg. Com. J09/850/2007 CUI 22442410

PROIECTANT INSTALATIE/DESIGNER

S.C. MAESTRO PROIECT DESIGN S.R.L.

PROIECTANT REZISTENTA/STRUCTURAL DESIGNER

ALLIED ENGINEERS

PROIECTANT DRUMURI/ROADS DESIGNER

URBAN TRAFIC

This Drawing and all the information it contains can not be copied, reproduced or used, partially or entirely without the written agreement of Blue Projects Company and can not be used for any other purpose but the one for which it was elaborated.

SPECIFICATIE/ SPECIFICATION	NUME/NOME	SEMNETURA/ SIGNATURE
SEF PROIECT/ PROJECT LEADER	Ing. Eugen IONESCU	
PROIECTAT/ DESIGNED BY	Ing. Catalin RACEANU	
DESENAT/ DRAWN BY	Des. Ana PLATON	

BENEFICIAR/
CLIENT

S.C. IKEA ROMANIA SA

TITLU PROIECT/PROJECT NAME

CONSTRUIRE CENTRU CU FUNCTIUNI COMERCIALE, DE SERVICII, BIROURI SI ALTE FUNCTIUNI COMPLEMENTARE, LUCRARI DE REȚELE EDILITARE, BRANSAMENTE, PARCARI, ALEI AUTO SI PIETONALE, ACCESE, SPATII VERZI

Adresa / Adresa : Judetul Timis, comuna Dumbavita, Calea Aradului (DN69)

DATA/ ISSUE DATE	FEB 2021	SCARA/ SCALE	1:10 1:50	FAZA/ PHASE	D.T.A.C
---------------------	----------	-----------------	--------------	----------------	---------

TITLU PLANSA/ SHEET NAME

**DETALII DE EXECUTIE
EXECUTION DETAILS**

NR. PROIECT/ PROJECT No.	ORIGINATOR/ ORIGINE	ZONA/ ZONA	LEVEL/ ETAJ	TIP/ TYPE	DISCIPLINA/ DISCIPLINE	NR PLANSA/ SHEET NO.	REVIZIE/ REVISION
RO712-40	UT	XX	XX	SC	R	0008	RO